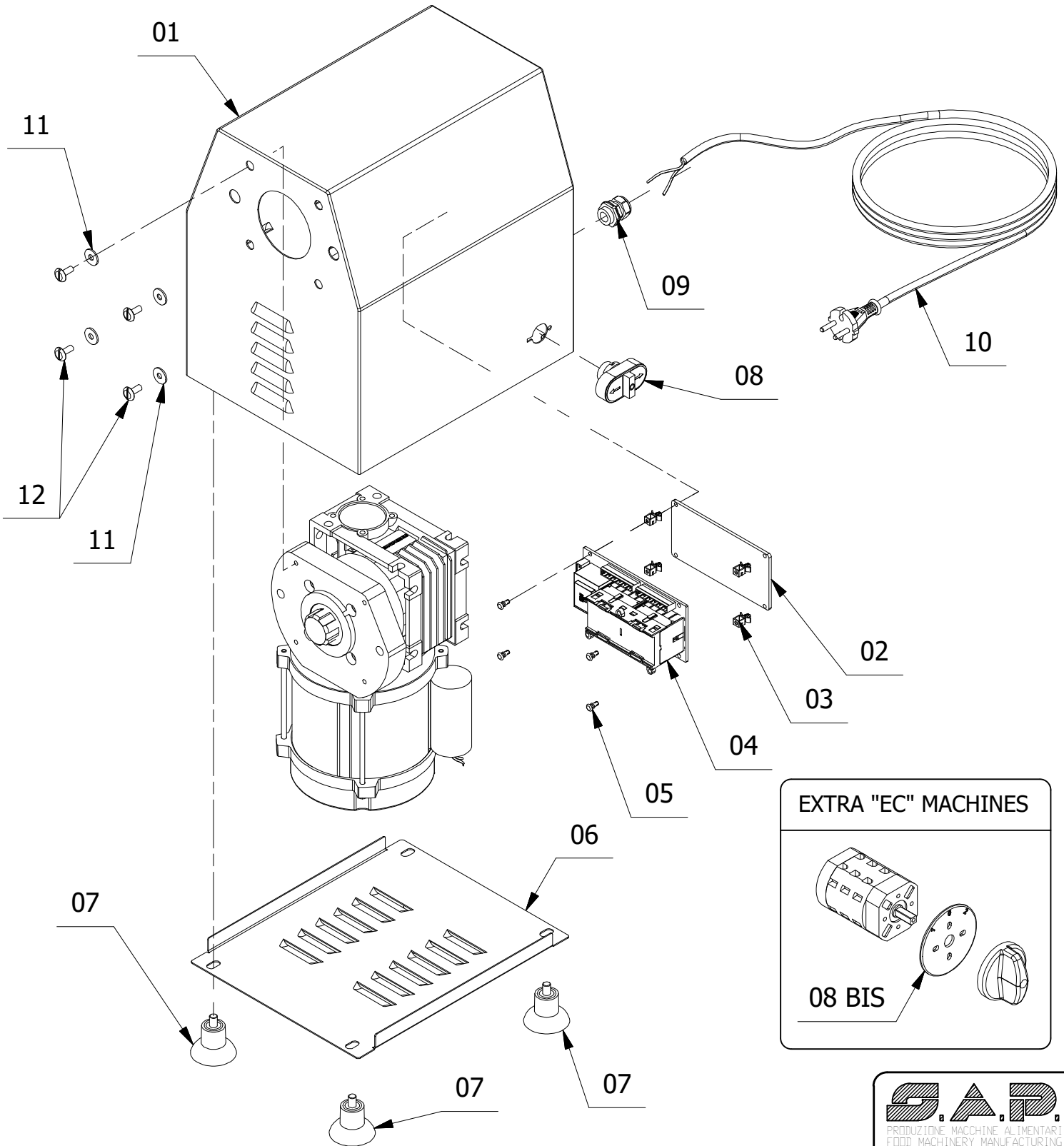
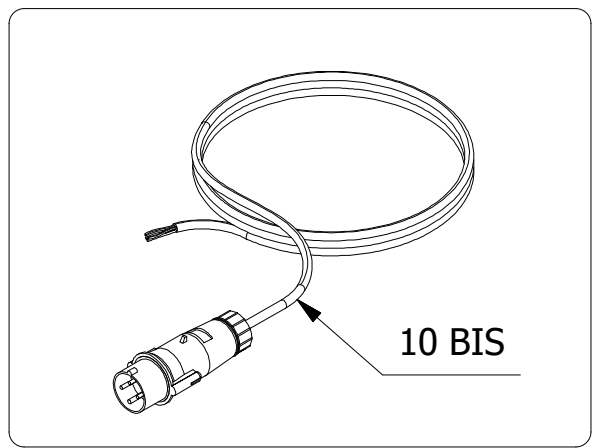
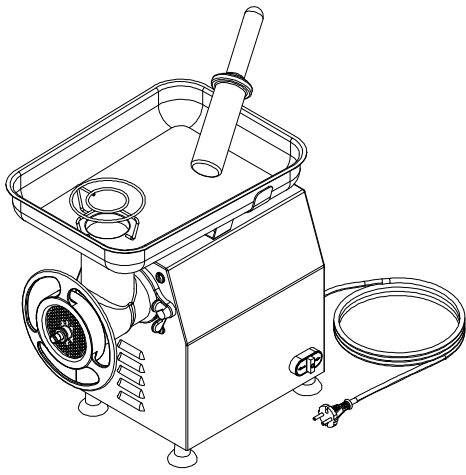


TC32P



EXTRA "EC" MACHINES

08 BIS

A diagram showing an alternative component for the front panel cover, labeled "08 BIS". It includes a circular cover with a different hole pattern and a corresponding gasket.

